

BODY

MA02V-02

INSPECTION

1. TIRE ROTATION

Check the owner's manual supplement in which the maintenance schedule is shown.

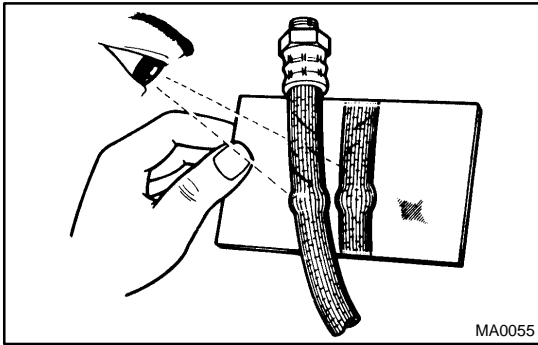
2. FINAL INSPECTION

(a) Check the operation of the body parts:

- Hood:
 - Auxiliary catch operates properly
 - Hood locks securely when closed
- Front and rear doors:
 - Door locks operate properly
 - Doors close properly
- Back door:
 - Door lock operates properly
- Seats:
 - Seat adjusts easily and locks securely in any position
 - Front seat back locks securely in any position
 - Folding-down rear seat backs lock securely.

(b) Be sure to deliver a clean car. Especially check:

- Steering wheel
- Shift lever knob
- All switch knobs
- Door handles
- Seats



BRAKE INSPECTION

MA02T-02

1. INSPECT BRAKE LINE PIPES AND HOSES

HINT:

Check in a well lighted area. Check the entire circumference and length of the brake hoses using a mirror as required. Turn the front wheels fully right or left before checking the front brake.

- (a) Check the all brake lines and hoses for damage.
- (b) Check the all brake lines and hoses for wear.
- (c) Check the all brake lines and hoses for deformation.
- (d) Check the all brake lines and hoses for cracks.
- (e) Check the all brake lines and hoses for corrosion.
- (f) Check the all brake lines and hoses for leaks.
- (g) Check the all brake lines and hoses for bends.
- (h) Check the all brake lines and hoses for twists.
- (i) Check all clamps for tightness and connections for leakage.
- (j) Check that the hoses and lines are clear of sharp edges, moving parts and the exhaust system.
- (k) Check that the lines installed in grommets pass through the center of the grommets.

2. INSPECT FRONT AND REAR BRAKE PADS AND DISCS

(FRONT PADS: See page [BR-16](#))

(REAR PADS: See page [BR-25](#))

(FRONT DISCS: See page [BR-21](#))

(REAR DISCS: See page [BR-30](#))

3. INSPECT PARKING BRAKE LININGS AND DRUMS

(See page [BR-36](#))

CHASSIS INSPECTION

MA02U-07

1. INSPECT STEERING LINKAGE

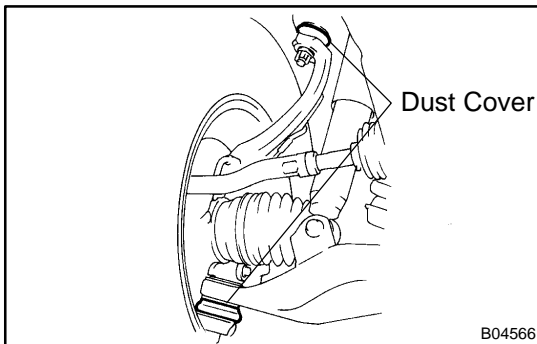
- (a) Check the steering linkage for looseness or damage.
- (b) Check the tie rod ends do not have excessive play.
- (c) Check the dust seals and boots are not damaged.
- (d) Check the boot clamps are not loose.
- (e) Check the inspect the dust cover for damage.

2. INSPECT SRS AIRBAG (See pages [RS-18](#) , [RS-32](#))

3. INSPECT STEERING GEAR HOUSING OIL

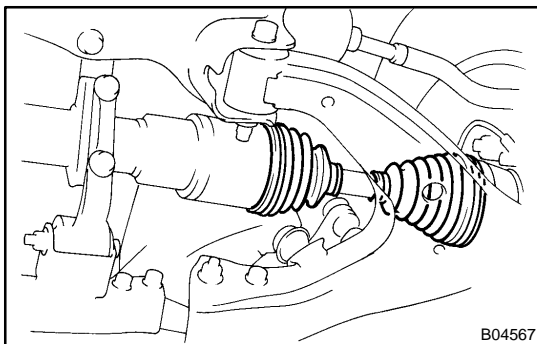
Check the steering gear housing for oil leakage.

If leakage is found, check for cause and repair.



4. INSPECT BALL JOINTS AND DUST COVERS

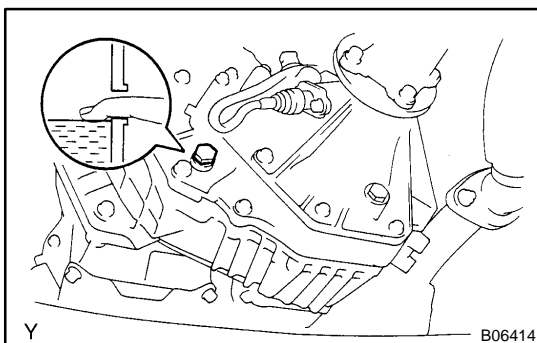
- (a) Jack up the front of the vehicle and support it with stands.
- (b) Make sure the front wheels are in a straight-ahead position, and depress the brake pedal.
- (c) Jack up the lower suspension arm until there is about half a load on the front suspension.
- (d) Inspect the dust cover for damage.



5. INSPECT DRIVE SHAFT BOOTS

Inspect the drive shaft boots for clamp looseness, grease leakage or damage.

6. INSPECT AUTOMATIC TRANSMISSION OIL LEVEL (See page [AT-3-1](#))

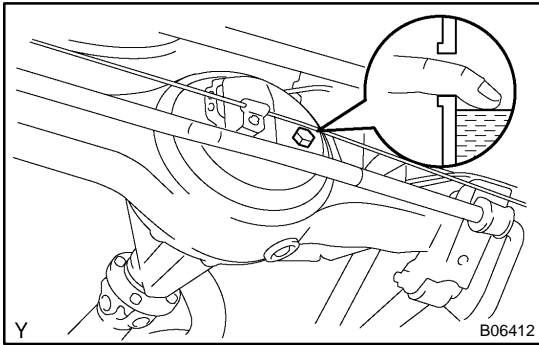


7. INSPECT TRANSFER AND DIFFERENTIAL OIL LEVEL

(a) Transfer:

Remove the filler plug and feel inside the hole with your finger. Check that the oil comes to within 5 mm (0.20 in.) of the bottom edge of the hole. If the level is low, add oil until it begins to run out of the filler hole.

Transfer oil: See page [TR-6](#)

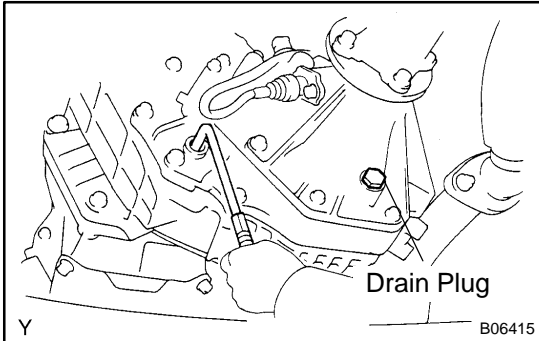


- (b) Differential:
Remove the filler plug and feel inside the hole with your finger. Check that the oil comes to within 5 mm (0.20 in.) of the bottom edge of the hole. If the level is low, add oil until it begins to run out of the filler hole.

Front differential oil: See page SA-35

Rear differential oil: See page SA-95

8. REPLACE AUTOMATIC TRANSMISSION FLUID (See page AT-3-1)

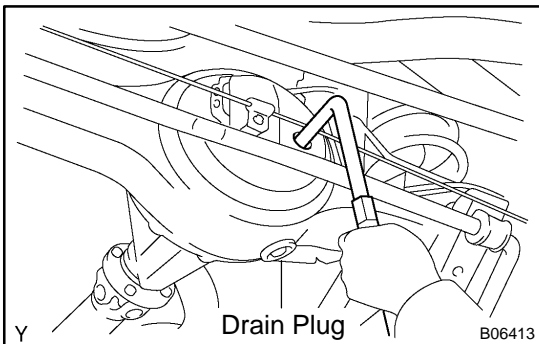


9. REPLACE TRANSFER AND DIFFERENTIAL OIL

- (a) Remove the drain plug and drain the oil.
- (b) Reinstall the drain plug securely.
- (c) Add new oil until it begins to run out of the filler hole.

Transfer oil: See page TR-6

Front differential oil: See page SA-35



Rear differential oil: See page SA-95

10. REPACK FRONT WHEEL BEARINGS AND DRIVE SHAFT BUSHING GREASE

- (a) Change the front wheel bearing grease (See page SA-16).

NOTICE:

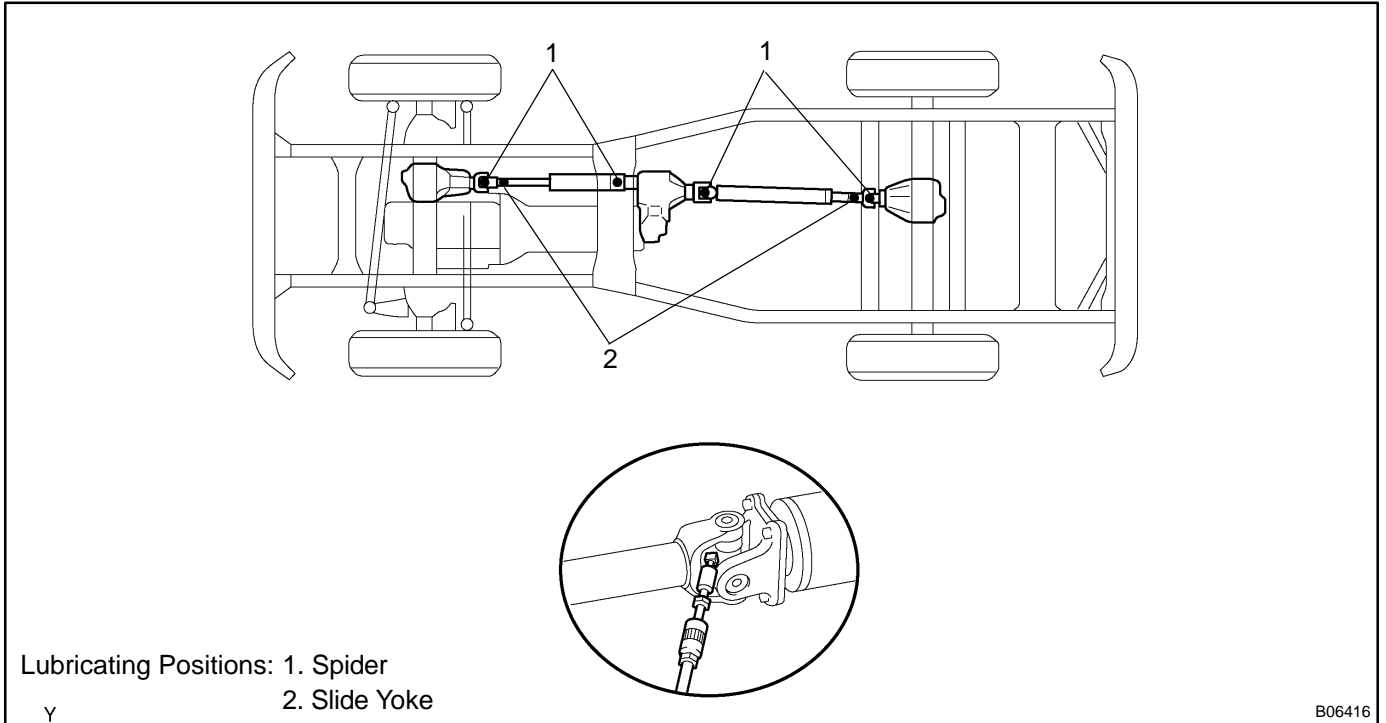
Maintenance free for rear wheel bearing.

- (b) Repack the drive shaft bushing grease (See page SA-33).

11. LUBRICATE PROPELLER SHAFT AND TIGHTEN BOLTS

- (a) Lubricate chassis components, referring to the lubrication chart. Before pumping in grease, wipe off any mud and dust on the grease fitting.

**Grease grade:
Lithium base chassis grease (NLGI No.2)**



(b) Tightening bolts for propeller shaft (See page [PR-7](#)).

ENGINE

INSPECTION

MA02S-01

HINT:

Inspect these items when the engine is cold.

1. **REPLACE TIMING BELT (See page [EM-15](#))**
2. **INSPECT VALVE CLEARANCE (See page [EM-4](#))**
3. **INSPECT DRIVE BELT (See page [CH-2](#))**
4. **REPLACE ENGINE OIL AND OIL FILTER (See page [LU-2](#))**
5. **REPLACE ENGINE COOLANT (See page [CO-2](#))**
6. **INSPECT EXHAUST PIPES AND MOUNTINGS**

Visually inspect the pipes, hangers and connections for severe corrosion, leaks or damage.

7. **REPLACE AIR CLEANER FILTER**

Replace the air cleaner filter with a new one.

8. **INSPECT FUEL LINES, CONNECTIONS AND FUEL VAPOR CONTROL VALVE (See page [EC-5](#))**

Visually inspect the fuel lines for cracks, leakage loose connections, deformation or tank band looseness.

9. **INSPECT GASKET IN FUEL TANK CAP (See page [EC-5](#))**
10. **REPLACE SPARK PLUGS (See page [IG-1](#))**
11. **California, Massachusetts and New York:**
INSPECT CHARCOAL CANISTER (See page [EC-5](#))

INSIDE VEHICLE

MA02Q-01

GENERAL MAINTENANCE

These are the maintenance and inspection items which are considered to be owner's responsibility. They can be done by the owner or be can have them done at a service shop. These items include those which should be checked on a daily basis, those which, in most cases, do not require (special) tools and those which are considered to be reasonable for the owner to do. Items and procedures for general maintenance are as follows.

1. GENERAL NOTES

- Maintenance items may vary from country and country. Check the owner's manual supplement in which the maintenance schedule is shown.
- Every service items in the periodic maintenance schedule must be performed.
- Periodic maintenance service must be performed according to whichever interval in the periodic maintenance schedule occurs first, the odometer reading (miles) or the time interval (months).
- Maintenance service after the last period should be performed at the same time interval as before unless otherwise noted.
- Failure to do even one item an cause the engine to run poorly and increase exhaust emissions.

2. LIGHTS

- (a) Check that the headlights, stop lights, taillights, turn signal lights, and other lights are all working.
- (b) Check the headlights aim.

3. WARNING LIGHTS AND BUZZERS

Check that all warning lights and buzzers function properly.

4. HORN

Check that it is working.

5. WINDSHIELD GLASS

Check for scratches, pits or abrasions.

6. WINDSHIELD WIPER AND WASHER

- (a) Check operation of the wipers and washer.
- (b) Check that the wipers do not streak.

7. WINDSHIELD DEFROSTER

Check that air comes out from the defroster outlet when operating the heater or air conditioner at defroster mode.

8. REAR VIEW MIRROR

Check that it is mounted securely.

9. SUN VISORS

Check that they move freely and mounted securely.

10. STEERING WHEEL

Check that it has the specified freeplay. Be alert for changes in steering condition, such as hard steering, excessive freeplay or strange noises.

11. SEATS

- (a) Check that all front seat controls such as seat adjusters, seatback recliner, etc. operate smoothly.
- (b) Check that all latches lock securely in any position.
- (c) Check that the head restraints move up and down smoothly and that the locks hold securely in any latch position.
- (d) For folding-down rear seat backs, check that the latches lock securely.

12. SEAT BELTS

- (a) Check that the seat belt system such as buckles, retractors and anchors operate properly and smoothly.
- (b) Check that the belt webbing is not cut, frayed, worn or damaged.

13. ACCELERATOR PEDAL

Check the pedal for smooth operation and uneven pedal effort or catching.

14. BRAKE PEDAL (See page BR-9)

- (a) Check that pedal for smoothly operation.
- (b) Check that the pedal has the proper reserve distance and freeplay.

15. BRAKE BOOSTER (See page BR-40)

Check the brake booster function.

16. BRAKES

At a safe place, check that the brakes do not pull to one side when applied.

17. PARKING BRAKE (See page BR-14)

- (a) Check that the lever has the proper travel.
- (b) On a safe incline, check that the vehicle is held securely with only the parking brake applied.

18. AUTOMATIC TRANSMISSION "PARK" MECHANISM

- (a) Check the lock release button of the selector level for proper and smooth operation.
- (b) On a safe incline, check that the vehicle is held securely with the selector lever in the "P" position and all brakes released.

OUTSIDE VEHICLE

GENERAL MAINTENANCE

MA02P-02

These are some maintenance and inspection items which are considered to be the owner's responsibility. They can be done by the owner or they can have them done at a service shop. These items include those which should be checked on a daily basis, those which, in most cases, do not require (special) tools and those which are considered to be reasonable for the owner to do. Items and procedures for general maintenance are as follows.

1. GENERAL NOTES

- Maintenance items may vary from country and country. Check the owner's manual supplement in which the maintenance schedule is shown.
- Every service items in the periodic maintenance schedule must be performed.
- Periodic maintenance service must be performed according to whichever interval in the periodic maintenance schedule occurs first, the odometer reading (miles) or the time interval (months).
- Maintenance service after the last period should be performed at the same time interval as before unless otherwise noted.
- Failure to do even one item can cause the engine to run poorly and increase exhaust emissions.

2. TIRES

- (a) Check the pressure with a gauge. If necessary, adjust.
- (b) Check for cuts, damage or excessive wear.

3. WHEEL NUTS

When checking the tires, check the nuts for looseness or for missing nuts. If necessary, tighten them.

4. TIRE ROTATION

Check the owner's manual supplement in which the maintenance schedule is shown.

5. WINDSHIELD WIPER BLADES

Check for wear or cracks whenever they do not wipe clean. If necessary, replace.

6. FLUID LEAKS

- (a) Check underneath for leaking fuel, oil, water or other fluid.
- (b) If you smell gasoline fumes or notice any leak, have the cause found and corrected.

7. DOORS AND ENGINE HOOD

- (a) Check that all doors and the tailgate operate smoothly, and that all latches lock securely.
- (b) Check that the engine hood secondary latch secures the hood from opening when the primary latch is released.

UNDER HOOD

MA02R-05

GENERAL MAINTENANCE

1. GENERAL NOTICE

- Maintenance items may vary from country to country. Check the owner's manual supplement in which the maintenance schedule is shown.
- Every service item in the periodic maintenance schedule must be performed.
- Periodic maintenance service must be performed according to whichever interval in the periodic maintenance schedule occurs first, the odometer reading (miles) or the time interval (months).
- Maintenance services after the last period should be performed at the same interval as before unless otherwise noted.
- Failure to do even one item can cause the engine to run poorly and increase exhaust emissions.

2. WINDSHIELD WASHER FLUID

Check that there is sufficient fluid in the tank.

3. ENGINE COOLANT LEVEL

Check that the coolant level is between the LEVEL lines on the see-through reservoir at normal temperature (20°C (68°F)).

4. RADIATOR AND HOSES

- (a) Check that the front of the radiator is clean and not blocked with leaves, dirt or bugs.
(See page [CO-14](#))
- (b) Check the hoses for cracks, kinks, rot or loose connections.

5. BATTERY ELECTROLYTE LEVEL

- Check the indicator.
- When the indicator color is blue, the condition is satisfactory. A red color indicates that distilled water must be added, and white indicates that charging is necessary.

6. BRAKE FLUID LEVELS

Check that the brake fluid level is near the upper level line on the see-through reservoir.

(See page [BR-4](#))

7. ENGINE DRIVE BELTS

Check drive belt for fraying, cracks, wear or oiliness.

8. ENGINE OIL LEVEL

Check the level on the dipstick with the engine turned off.

9. POWER STEERING FLUID LEVEL

- Check the level on the dipstick.
- The level should be in the "HOT" or "COLD" range depending on the fluid temperature.

10. AUTOMATIC TRANSMISSION FLUID LEVEL

Visually check the overflow plug and oil pan for fluid leaks or traces of fluid.

11. EXHAUST SYSTEM

Visually inspect for cracks, holes or loose supports.

If any change in the sound of the exhaust or smell of the exhaust fumes is noticed, have the cause located and corrected.